

TOWN SQUARE® 24" PEDESTAL SINK

- American classic design
- Clean straight lines with classic ogee curves
- Rear overflow
- Supplied with mounting kit
- **Design-matched to Town Square fixture and faucets**
- Right Height™ for greater comfort during use
- Made from fireclay

- 0790.400** Faucet holes on 4" (102mm) centers
- 0790.800** Faucet holes on 8" (203mm) centers
- 0790.100** Center hole only

Nominal Dimensions:

24" x 20-1/4" x 35-1/2"
(610 x 514 x 902mm)

Separate Components:

- 0790.004** Pedestal top 4" (102mm) centers
- 0790.008** Pedestal top 8" (203mm) centers
- 0790.001** Center hole only
- 0031.000** Pedestal only

Bowl sizes:

14" (356mm) wide
11-3/4" (298mm) front to back
6-1/2" (165mm) deep

Compliance Certifications -

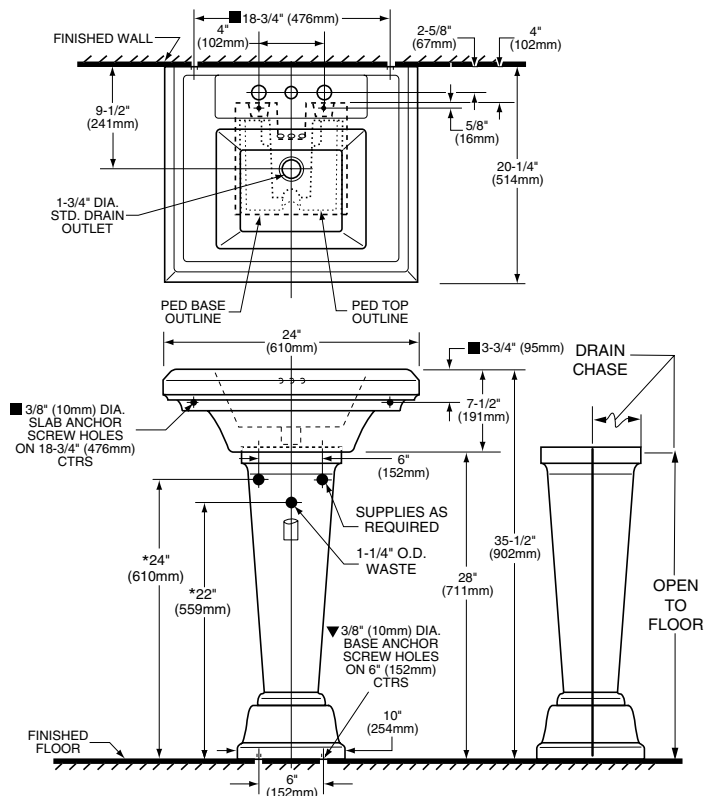
Meets or Exceeds the Following Specifications:

- ASME A112.19.9M for Non-Vitreous Ceramic Fixtures
- CAN/CSA B45 Series

To Be Specified:

- Color: White Bone Linen Black
- Town Square Faucet:
 - Centerset Lavatory Faucet: 2555.201 (shown)
 - Widespread Lavatory Faucet: 2555.801
- Other Lavatory Faucet*:
- Faucet Finish:
- Supplies:
- 1-1/4" Trap:

* See faucet section for additional models available



NOTES:

* DIMENSIONS SHOWN FOR LOCATION OF SUPPLIES AND "P" TRAP ARE SUGGESTED.

▼ PEDESTAL ANCHORING SCREWS NOT INCLUDED.

■ FOR REINFORCEMENT ONLY. TAKE ACTUAL DIMENSIONS FROM FIXTURE.

FITTINGS NOT INCLUDED AND MUST BE ORDERED SEPARATELY. PROVIDE SUITABLE REINFORCEMENT FOR ALL WALL SUPPORTS. INSTALLATION INSTRUCTIONS SUPPLIED WITH LAVATORY.

IMPORTANT: Dimensions of fixtures are nominal and may vary within the range of tolerances established by ANSI Standard A112.19.9M. These measurements are subject to change or cancellation. No responsibility is assumed for use of superseded or voided pages.